

M5130

Performance and reliability extend your perspective

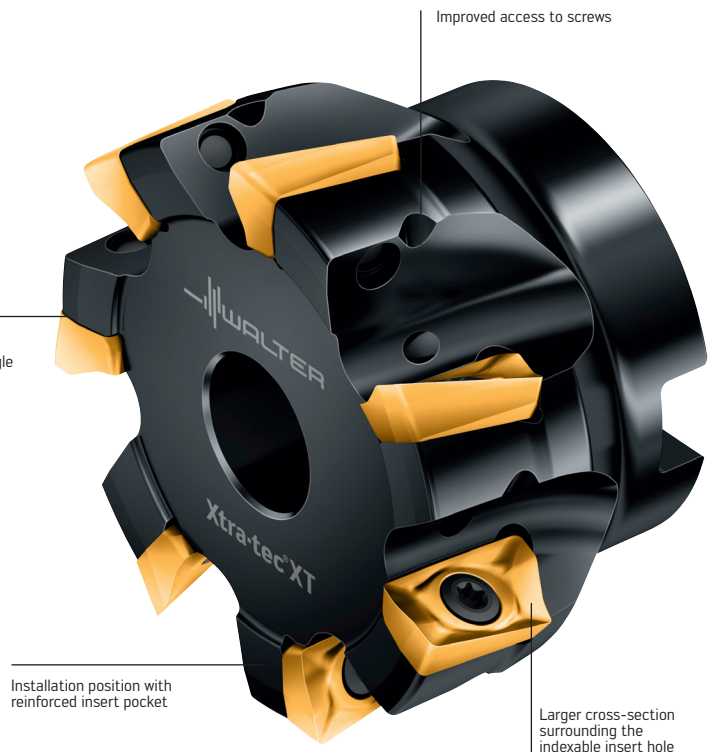
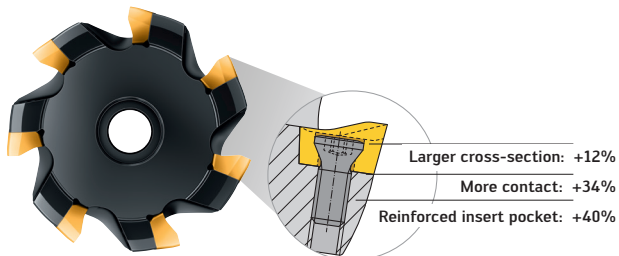
Free Milling Cutter with the purchase of 10 inserts per pocket.

PROGRAM BENEFITS

- Optimum cutting data and tool life for maximum productivity
- Maximum process reliability thanks to high stability
- Perfectly adapted to the machining operation due to different indexable insert sizes, corner radii and geometries
- Lower tool costs and minimised effort thanks to universal usability
- No additional finishing operations thanks to exact 90° angle
- Excellent handling thanks to improved access to screws
- Maximum cost efficiency thanks to Tiger-tec® cutting tool materials, high number of teeth and small indexable inserts

THE TOOL

- Xtra-tec® XT M5130 shoulder milling cutter
- Stable cross-section due to modified installation position of the indexable inserts
- Two pitches for different applications
- Approach angle: Exactly 90°
- Oversize milling cutter for machining operations on deepshoulders
- Dia. 10–160 mm (or 0.5–6")
- Interfaces: ScrewFit, cylindrical-modular, Weldon or cylindrical shank and shell mill mount



Promotion Details

Receive a free tool with the purchase of 10 inserts per pocket. Promo ends **September 30th, 2020**

Use promo code **M5130Q3**

Official Strategic Walter Partner

